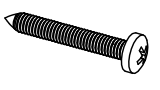


2mm

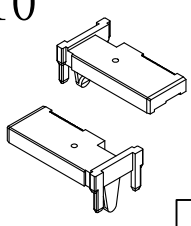
3



ST3.9X35

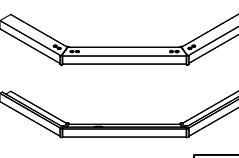
X8

10

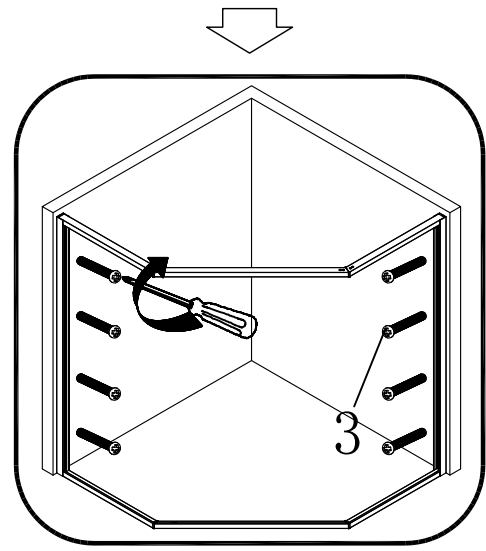
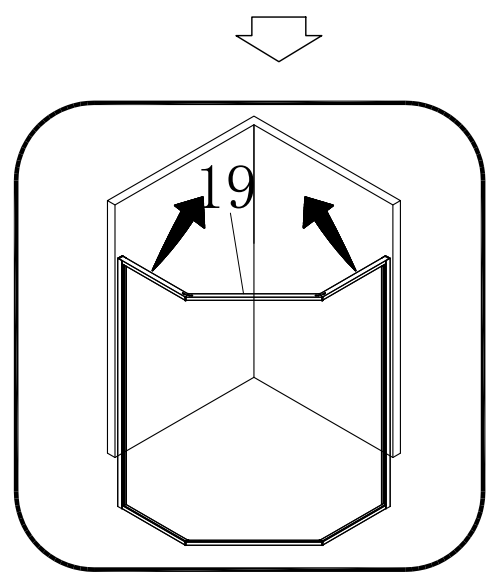
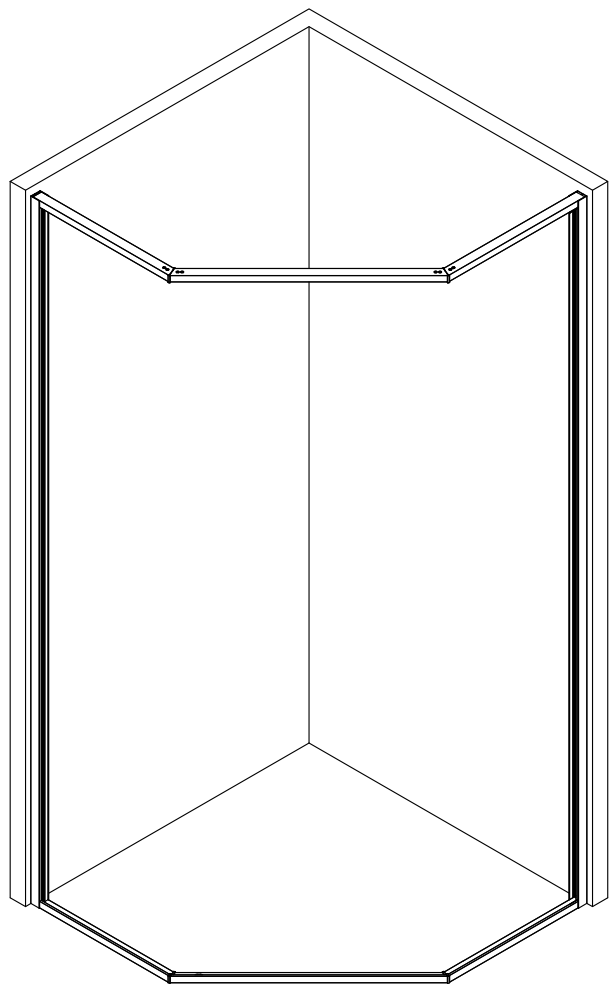
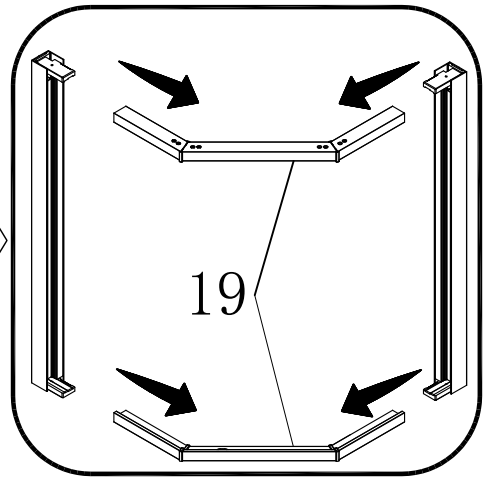
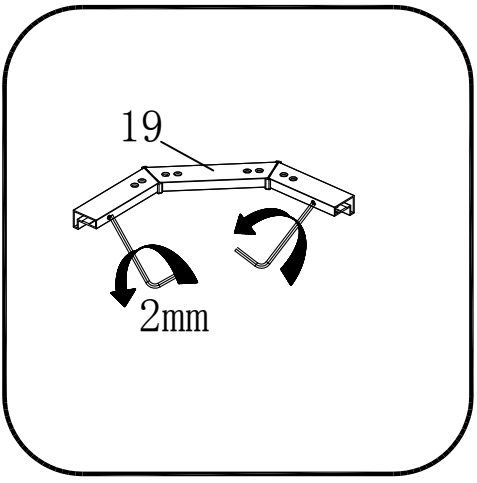
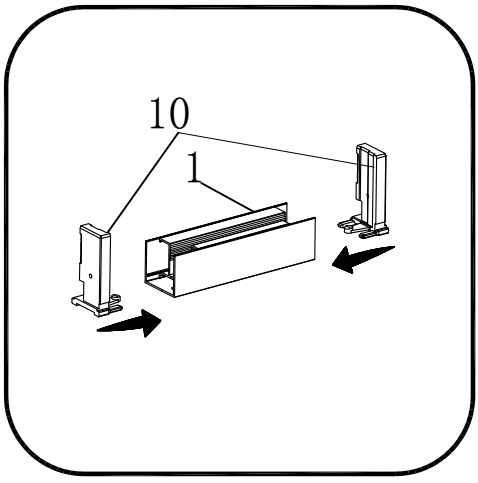


X2

19

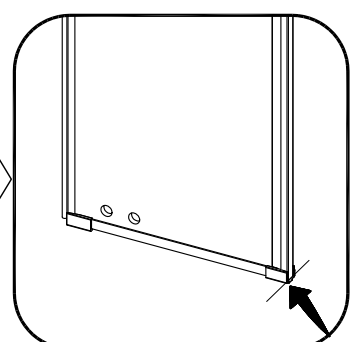
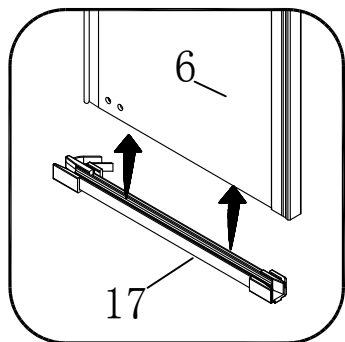
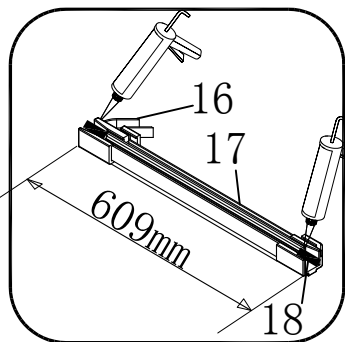
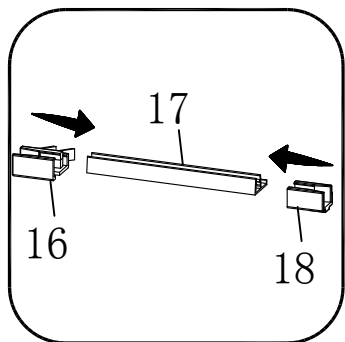
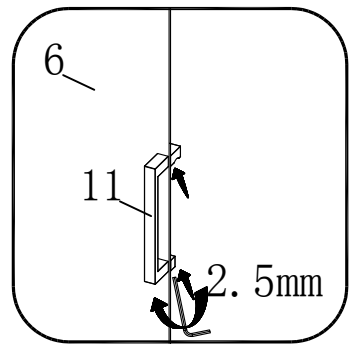
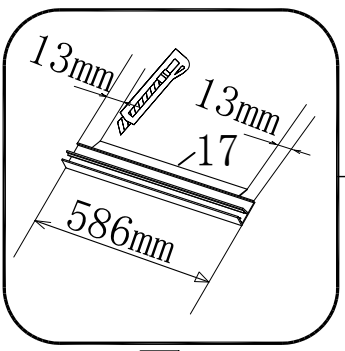
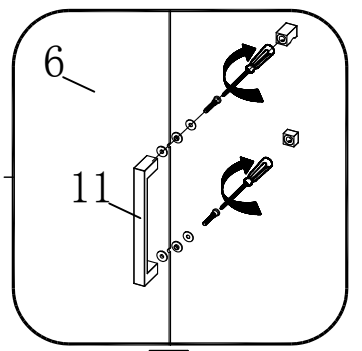
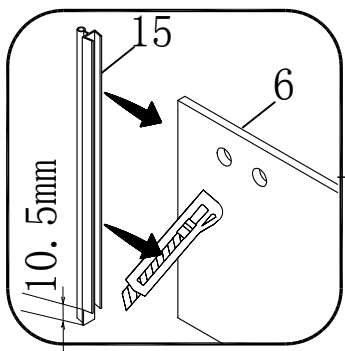
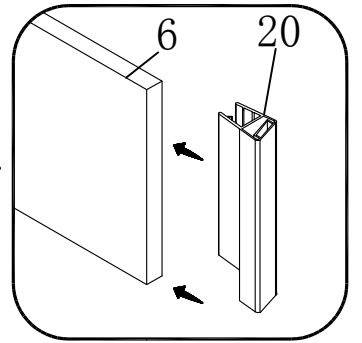
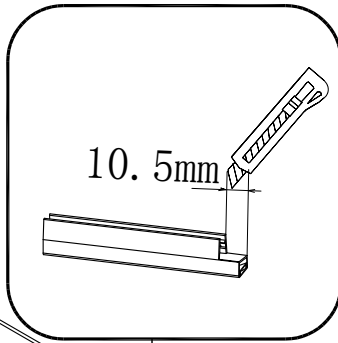
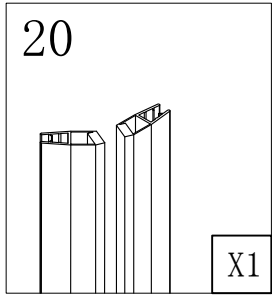
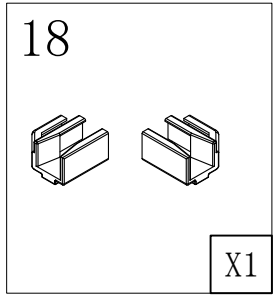
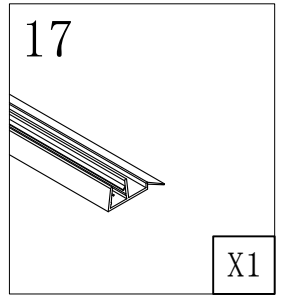
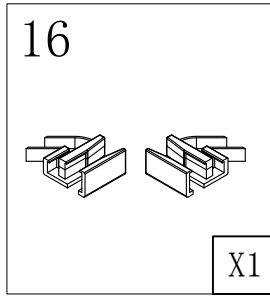
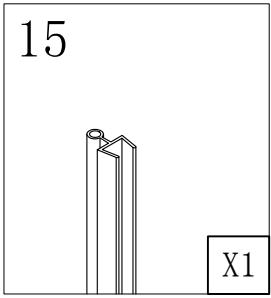
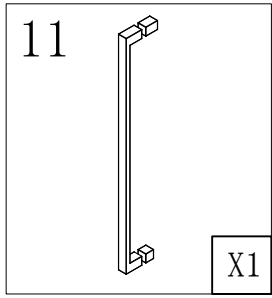
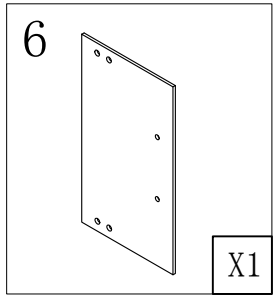
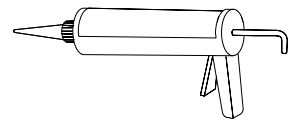
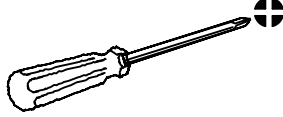


X1

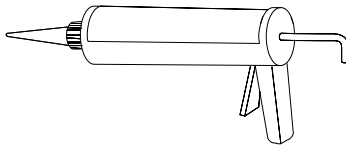




2.5mm



4mm



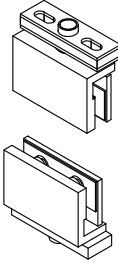
4



ST5.5X13

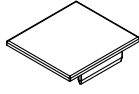
X4

12



X1

13



X2

14



5.0

X2

